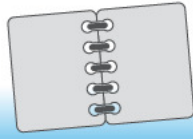


# Industrial Pumps



**INTRODUCTION**

page 190



**PUMPS FOR OILS AND SIMILAR PRODUCTS**

page 196



**HIGH FLOW PUMPS FOR OIL AND SIMILAR PRODUCTS**

page 200



**GREASE PUMPS**

page 202



**PUMPS FOR INDUSTRIAL FLUIDS**

page 206



**AISI 304 STAINLESS STEEL PUMPS**

page 208



**ACCESSORIES**

page 210

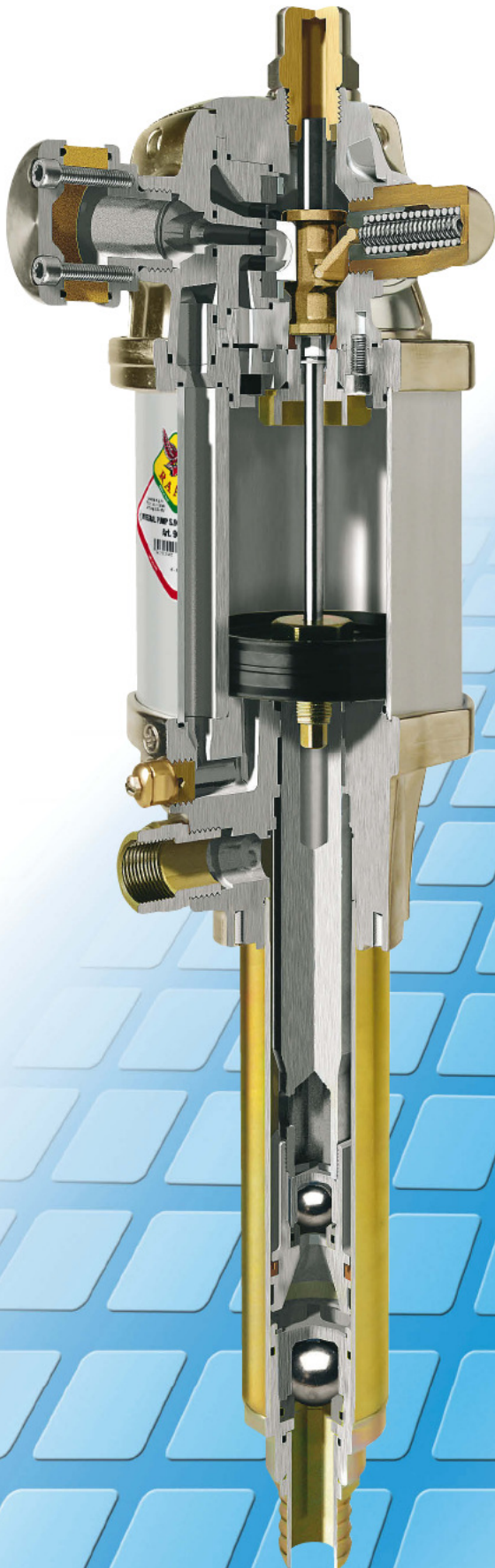


**PUMP ELEVATORS AND RAM**

page 212



## Total Quality



Innovative design for optimising the pump work cycle.  
The result of years of research and development, during which numerous tests were carried out for thousands of work hours.

High quality materials used, cutting-edge processes, hardening and grinding for reducing internal friction and limiting wear.

Fewer moving parts for easy and occasional maintenance with savings in running costs.

The industrial pumps guarantee high efficiency in capacity and operating pressure.

Double action ensures a continuous and constant flow of the fluid delivered.

# Versatility

## INTEGRAL INDUSTRIAL PUMPS



Air motor and pumping unit form a single body. They are recommended for transferring non-corrosive fluids, oil and allied products.

## FLANGED INDUSTRIAL PUMPS



Air motor and pumping unit form a single body. They are recommended for transferring non-corrosive fluids, oil and allied products. The motor base is flanged to enable application of the handles which are useful for easy moving and for simple fixing in various other applications.

## DIVORCED INDUSTRIAL PUMPS

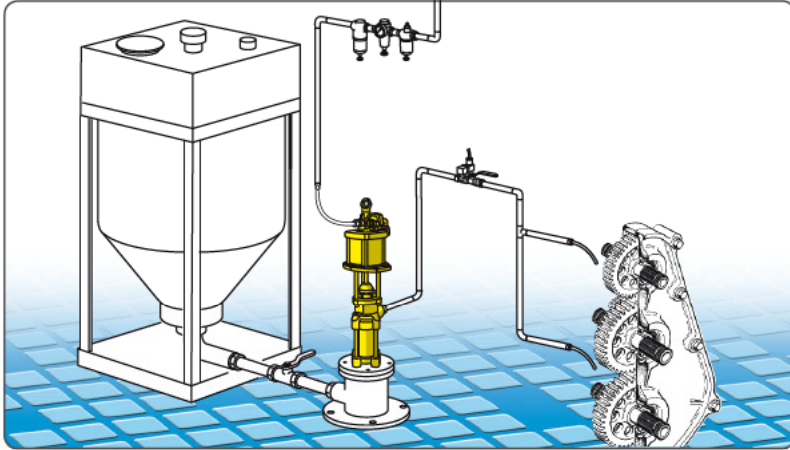


Air motor and pumping unit are separate so that the fluid cannot come into direct contact with the motor body. They are recommended for transferring non-aggressive industrial and chemical fluids. The motor base is flanged to enable application of the handles which are useful for easy moving and for simple fixing in various other applications.

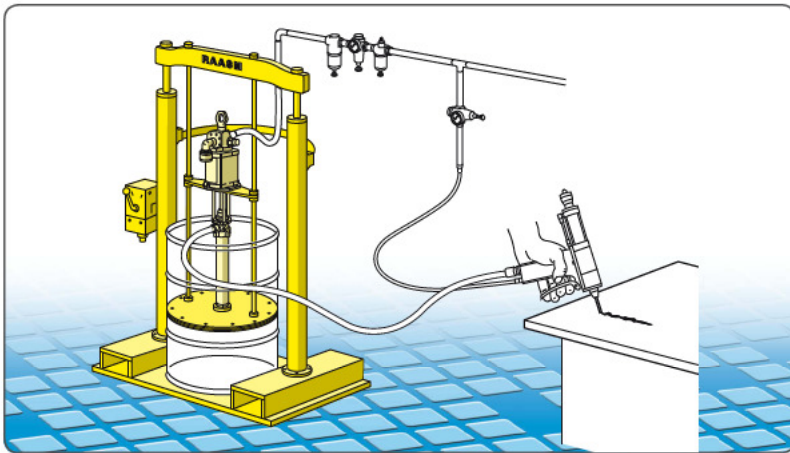
The **integral pumps** and **flanged pumps** are available in the drum version and modular version (modular = extendable with a rigid suction tube, or in the wall application with a flexible suction tube)



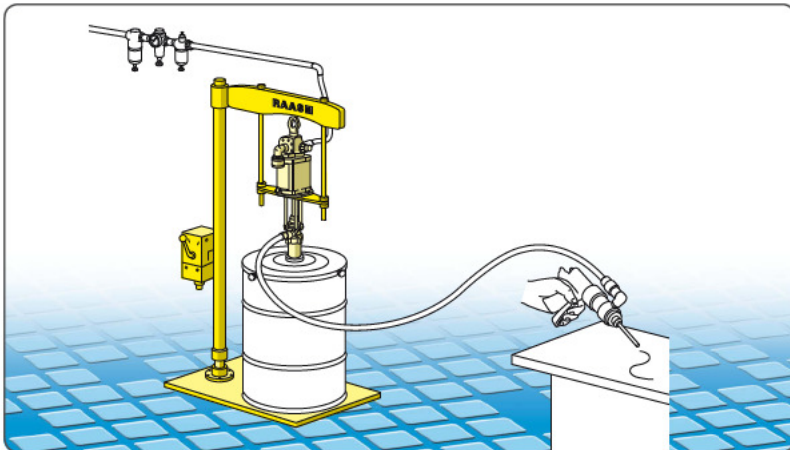
## Examples of industrial pump applications



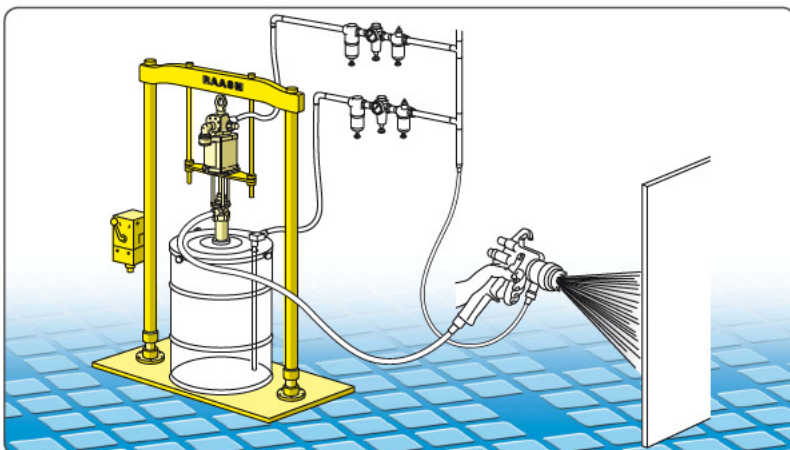
Stations for continuous feed of machinery by means of distribution of fluids in line (lubricants, inks, adhesives, etc.) with pump connected to the tank or fixed to the floor with bracket.



Automated system for the delivery of preselected quantities of fluids (inks, paints, greases, etc.), fed by pumps mounted on drum, with lift.



Application of sealants, adhesives, greases, etc., by means of special delivery gun fed by pump mounted on drum in fixed or mobile station.

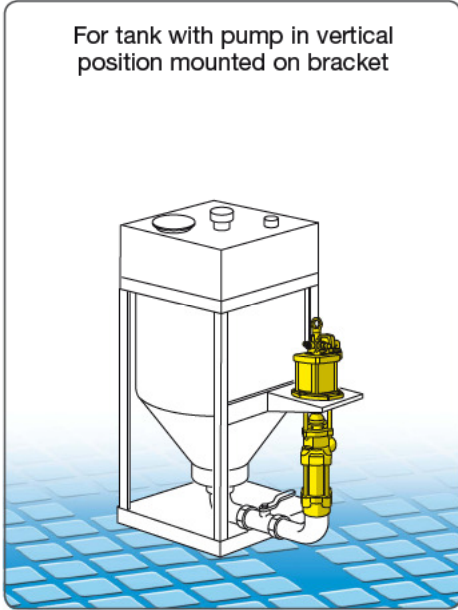


Fluid distribution system (for paints, lubricants, protective liquids, etc.) fed by pump mounted on drum in fixed station and delivery with spray gun.

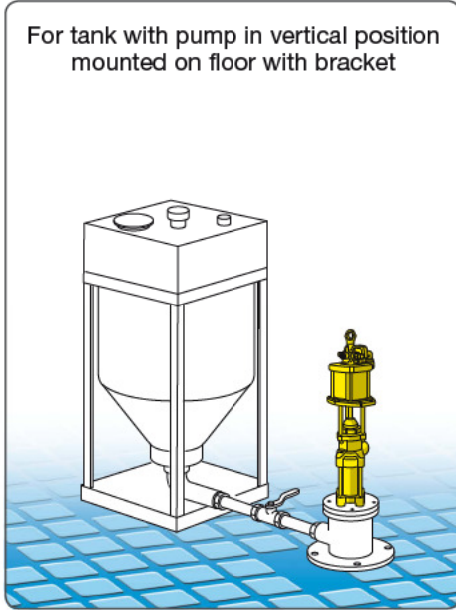


# Industrial pump installations on tanks or drums

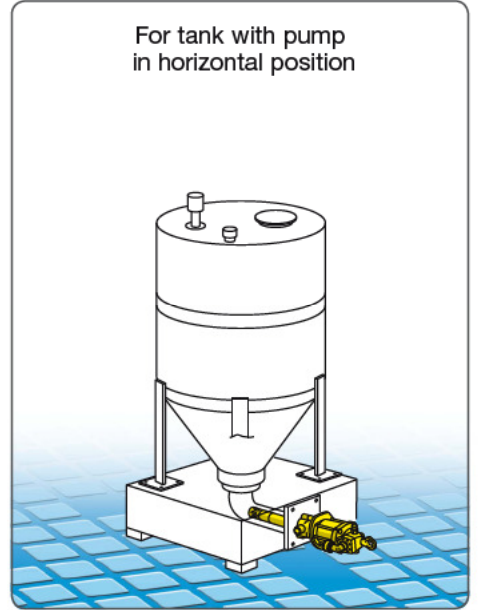
For tank with pump in vertical position mounted on bracket



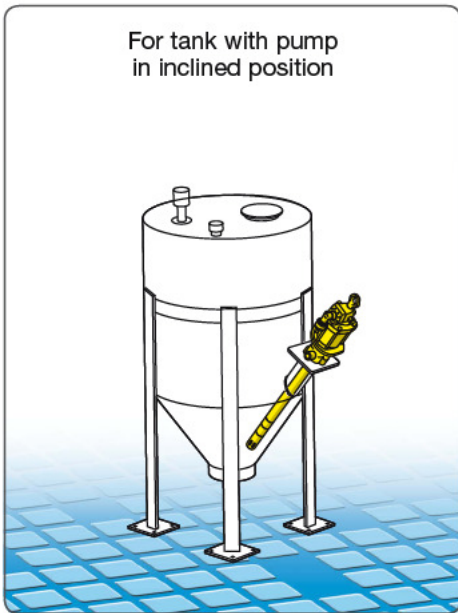
For tank with pump in vertical position mounted on floor with bracket



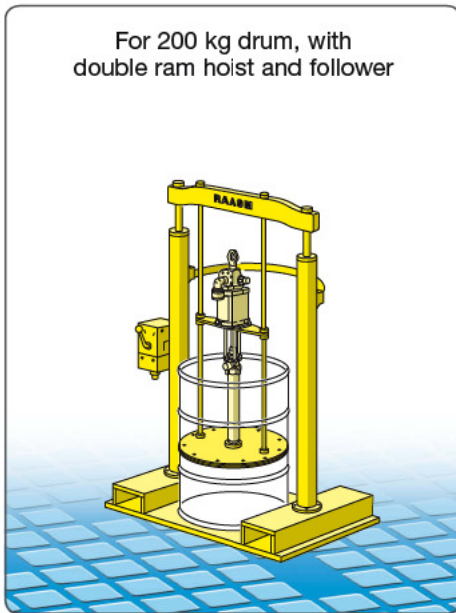
For tank with pump in horizontal position



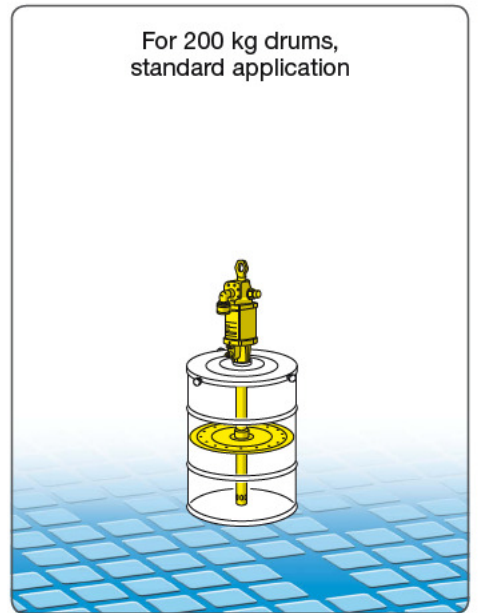
For tank with pump in inclined position



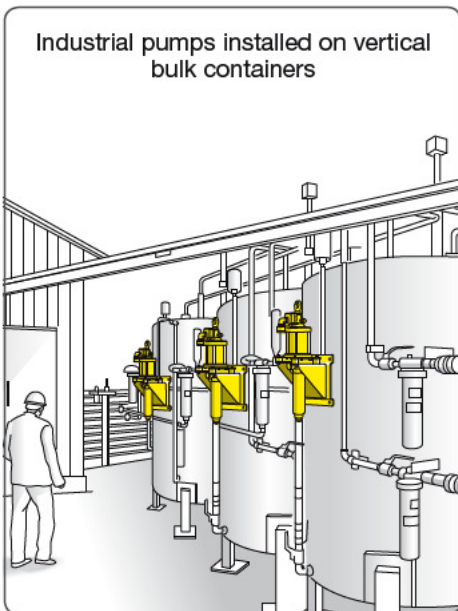
For 200 kg drum, with double ram hoist and follower



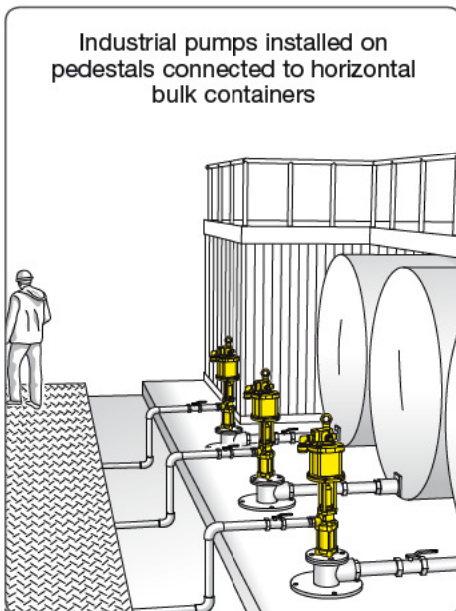
For 200 kg drums, standard application



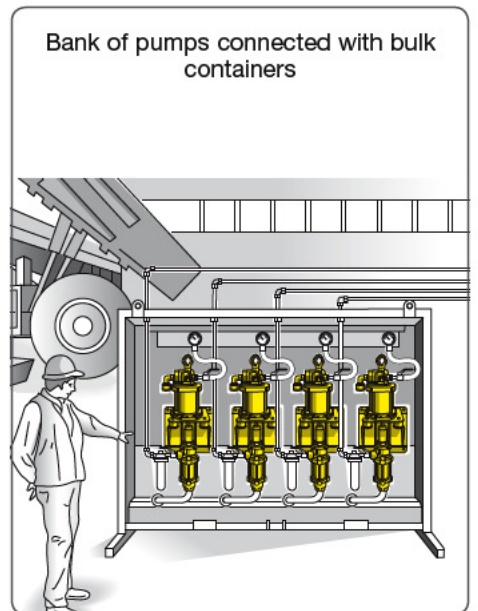
Industrial pumps installed on vertical bulk containers



Industrial pumps installed on pedestals connected to horizontal bulk containers



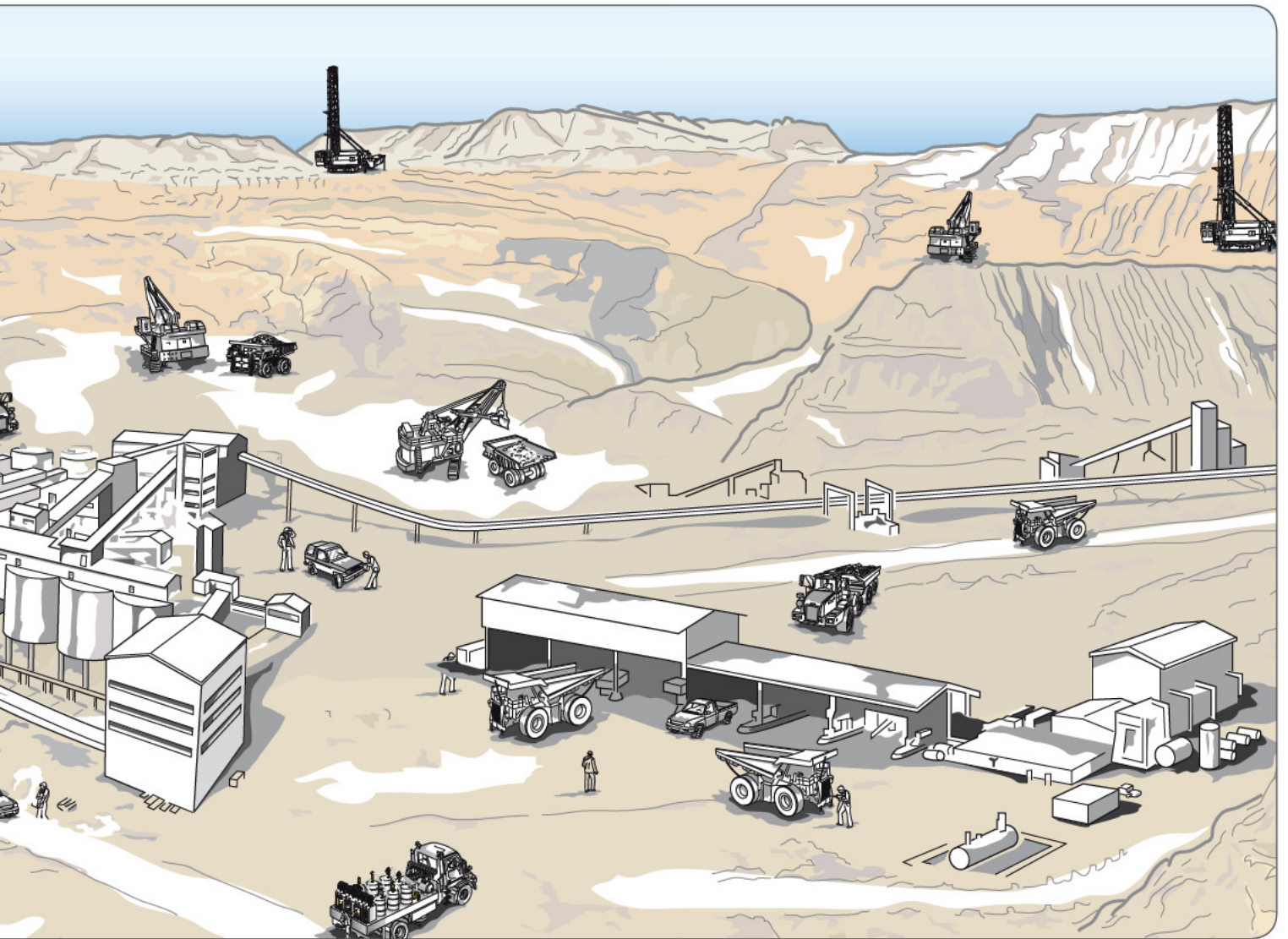
Bank of pumps connected with bulk containers





...everything for mining  
technology, functionality, safety







# Air-operated INDUSTRIAL PUMPS

oil and similar products

Ratio **5:1**  
Flow rate **45 l/min**

## Double action series 900 air-operated industrial pumps for distribution.

Suitable for transferring oils, lubricants and similar products, also high viscosity. The double action guarantees the delivery of a continuous and constant flow. Ideal for every needs. Particularly effective in systems equipped with several dispensing points.

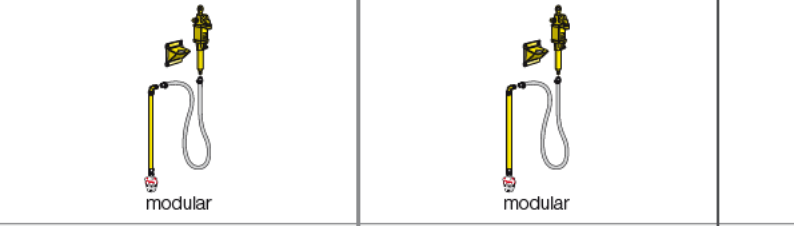


series **900**

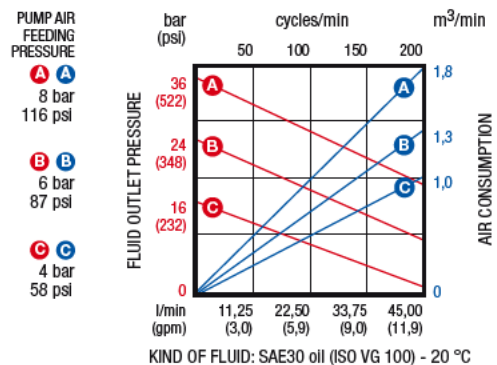
Article with seals in	PU
Compatible fluids	Oils, lubricants and similar
Suction tube upper body	Aluminium
Suction tube	Carbon steel
Air inlet connection	bsp
Fluid outlet connection	bsp
Max. air consumption 8 bar	m <sup>3</sup> /min
Noise level	dB
Air max. feed pressure	bar

integral	flanged
90C/51	90F/51

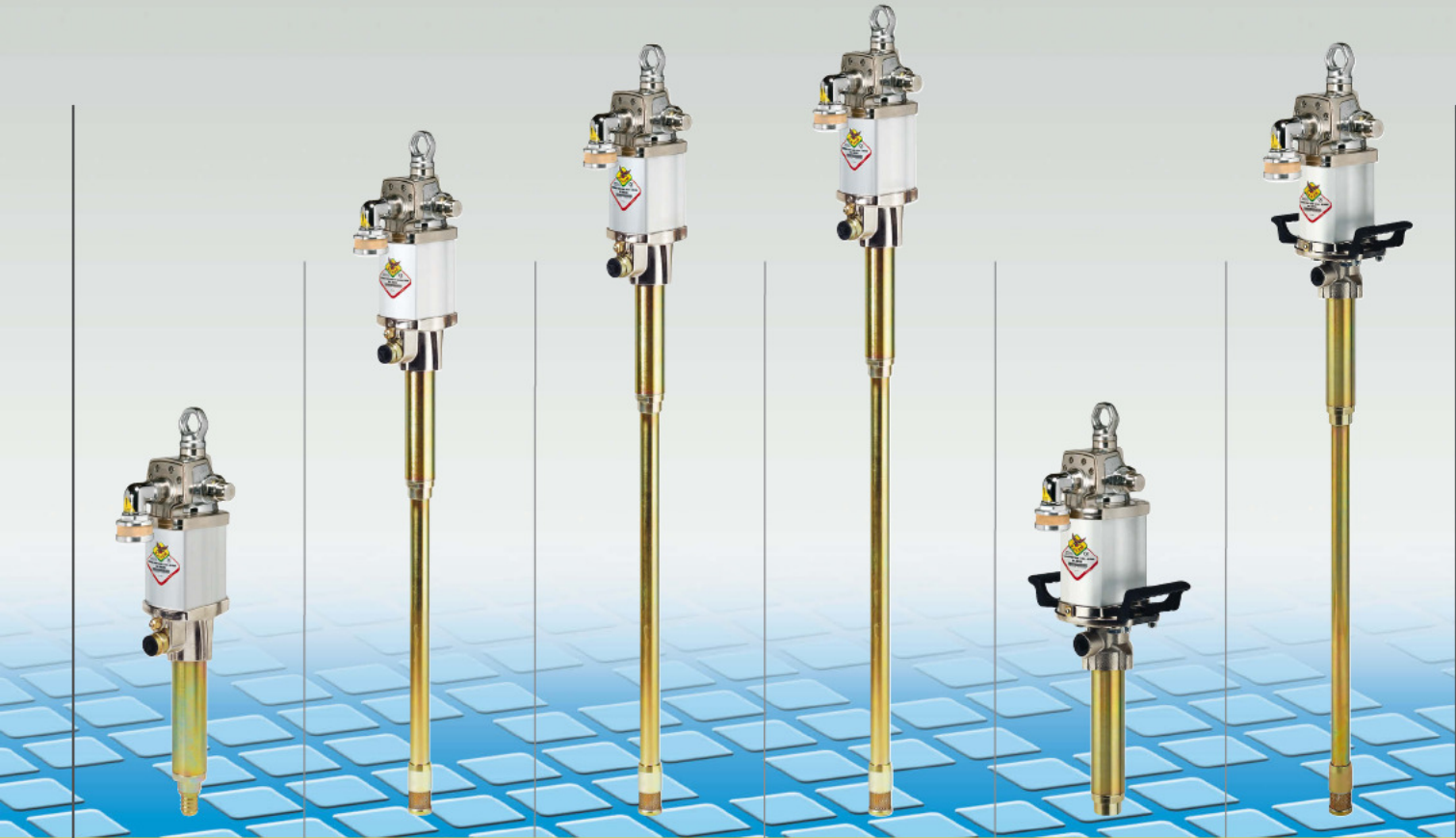
Suitable for drums or tanks



Packing	N° - m <sup>3</sup>	1 - 0,040	1 - 0,040
Weight	Kg	12	13
Dimensions (A - B - C)	cm	43 - 27 - 6,2	44,5 - 27 - 6,2



Ratio **7:1**  
Flow rate **30 l/min**

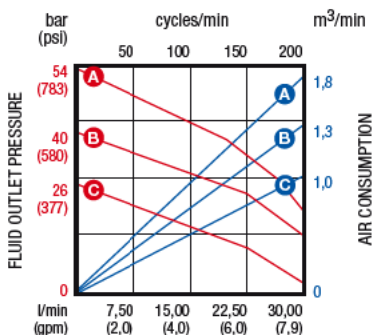


series **900**

integral	integral	integral	integral	flanged	flanged
90C/71	93C/71	91C/71	92C/71	90F/71	91F/71
Oils, lubricants and similar				Oils, lubricants and grease	
Aluminium				Carbon steel	
Carbon steel				Carbon steel	
F 1/2"	F 1/2"	F 1/2"	F 1/2"	F 1/2"	F 1/2"
F 3/4"	F 3/4"	F 3/4"	F 3/4"	F 3/4"	F 3/4"
1,6	1,6	1,6	1,6	1,6	1,6
80	80	80	80	80	80
8	8	8	8	8	8
modular	suitable for drums 50-60 Kg	suitable for drums 180-220 Kg	tank	modular	suitable for drums 180-220 Kg
1 - 0,040	1 - 0,080	1 - 0,080	1 - 0,080	1 - 0,040	1 - 0,070
11	13,5	14,5	15	12	14
43 - 27 - 5,3	43 - 74 - 5,3	43 - 94 - 5,3	43 - 126 - 5,3	44,5 - 27 - 5,3	44,5 - 94 - 5,3

PUMP AIR FEEDING PRESSURE

- A** 8 bar 116 psi
- B** 6 bar 87 psi
- C** 4 bar 58 psi



KIND OF FLUID: SAE30 oil (ISO VG 100) - 20 °C



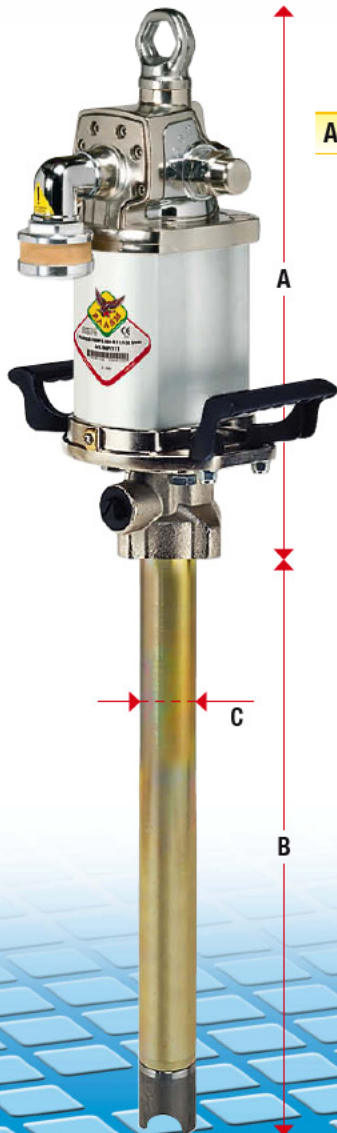
# Air-operated INDUSTRIAL PUMPS




oil and similar products

Ratio **11:1**  
Flow rate **30 l/min**

## Double action series 900 and 1200 air-operated industrial pumps for distribution.

Suitable for transferring oils, lubricants and similar products, also high viscosity. The double action guarantees the delivery of a continuous and constant flow. Ideal for every needs. Particularly effective in systems equipped with several dispensing points.



Article with seals in	PU	90C/111	92C/111	91C/111
Compatible fluids		Oils, lubricants and grease		
Suction tube upper body		Aluminium		
Suction tube		Carbon steel		
Air inlet connection	bsp	F 1/2"	F 1/2"	F 1/2"
Fluid outlet connection	bsp	F 3/4"	F 3/4"	F 3/4"
Max. air consumption 8 bar	m <sup>3</sup> /min	1,7	1,7	1,7
Noise level	dB	80	80	80
Air max. feed pressure	bar	8	8	8
Suitable for drums or tanks		 modular	 suitable for drums 50-60 Kg	 suitable for drums 180-220 Kg
Packing	N° - m <sup>3</sup>	1 - 0,040	1 - 0,070	1 - 0,070
Weight	Kg	11	15	16
Dimensions (A - B - C)	cm	43 - 27 - 4,5	43 - 74 - 4,5	43 - 94 - 4,5

series 900

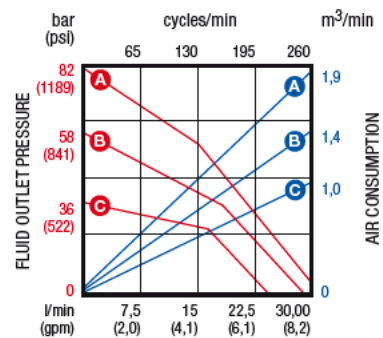
integral

PUMP AIR FEEDING PRESSURE

**A A**  
8 bar  
116 psi

**B B**  
6 bar  
87 psi

**C C**  
4 bar  
58 psi

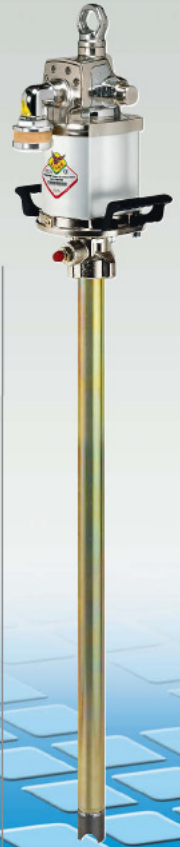





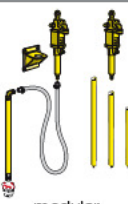

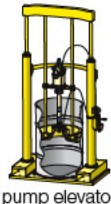


KIND OF FLUID: SAE30 oil (ISO VG 100) - 20 °C

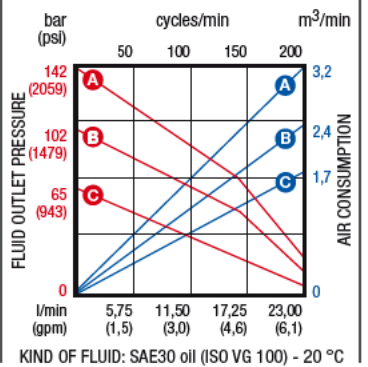
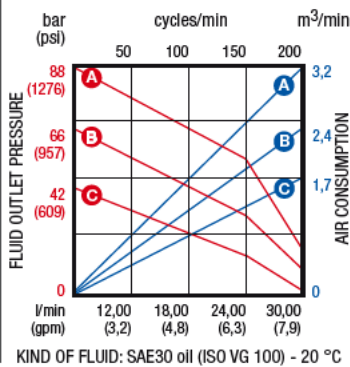
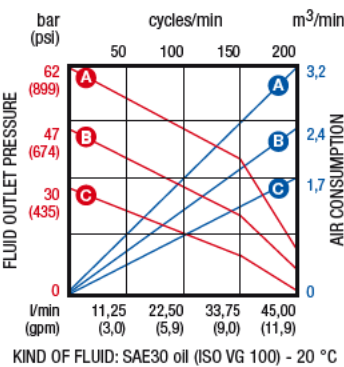
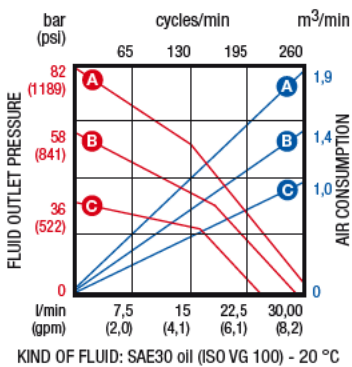
Ratio **9:1**  
Flow rate **45 l/min**

Ratio **12:1**  
Flow rate **30 l/min**

Ratio **18:1**  
Flow rate **23 l/min**



series 900		series 1200		series 1200		series 1200	
flanged		flanged		flanged		flanged	
90F/111	91F/111	115F/91	115F/121	116F/121	115F/181	116F/181	116F/181
Oils, lubricants and grease		Oils, lubricants and similar		Oils, lubricants and similar		Oils, lubricants and grease	
Carbon steel Carbon steel		Carbon steel Carbon steel		Carbon steel Carbon steel		Carbon steel Carbon steel	
F 1/2"	F 1/2"	F 1/2"	F 1/2"	F 1/2"	F 1/2"	F 1/2"	F 1/2"
F 3/4"	F 3/4"	F 3/4"	F 3/4"	F 3/4"	F 3/4"	F 3/4"	F 3/4"
1,7	1,7	2,8	2,8	2,8	2,8	2,8	2,8
80	80	80	80	80	80	80	80
8	8	8	8	8	8	8	8
							
1 - 0,045	1 - 0,070	1 - 0,40	1 - 0,040	1 - 0,070	1 - 0,045	1 - 0,070	1 - 0,070
13	17	14	13	15	15,5	18	18
44,5 - 48 - 4,5	44,5 - 94 - 4,5	44,5 - 23 - 6,2	44,5 - 23 - 5,3	44,5 - 94 - 5,3	44,5 - 48 - 4,5	44,5 - 94 - 4,5	44,5 - 94 - 4,5





# Air-operated INDUSTRIAL PUMPS

oil and similar products

Ratio **2:1**  
Flow rate **95 l/min**

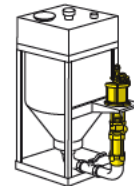
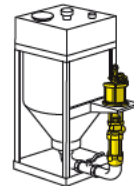
Ratio **3:1**  
Flow rate **100 l/min**

**Series 900, 1200, 1500 and 1800 industrial air-operated pumps** for medium-long distance distribution. Suitable for transferring oils, lubricants and similar products, they guarantee high performance in capacity (l/min) and operating pressure. The version with viton seals can also be used for the transfer of industrial and chemical fluids. The high quality of the components ensures lasting and reliable operation even in extreme conditions.



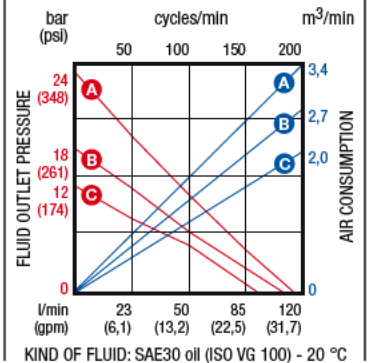
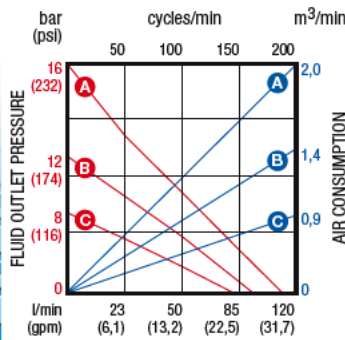
Article with seals in	PU	90D/21	90DV/21	115D/31	115DV/31
Article with seals in	VITON				
Compatible fluids		Oils, lubricants and similar	Chemical and industrial fluids	Oils, lubricants and similar	Chemical and industrial fluids
Suction tube upper body		Carbon steel		Carbon steel	
Suction tube		Carbon steel		Carbon steel	
Air inlet connection	bsp	F 1/2"	F 1/2"	F 1/2"	F 1/2"
Fluid outlet connection	bsp	F 1.1/2"	F 1.1/2"	F 1.1/2"	F 1.1/2"
Max. air consumption 8 bar	m <sup>3</sup> /min	1,6	1,6	2,8	2,8
Noise level	dB	80	80	80	80
Air max. feed pressure	bar	8	8	8	8

Suitable for drums or tanks



Packing	N° - m <sup>3</sup>	1 - 0,20	1 - 0,20	1 - 0,20	1 - 0,20
Weight	Kg	45	45	46	46
Dimensions (A - B - C)	cm	36 - 62,5 - 16,2	36 - 62,5 - 16,2	36 - 62,5 - 16,2	36 - 62,5 - 16,2

- PUMP AIR FEEDING PRESSURE
- A A** 8 bar 116 psi
  - B B** 6 bar 87 psi
  - C C** 4 bar 58 psi

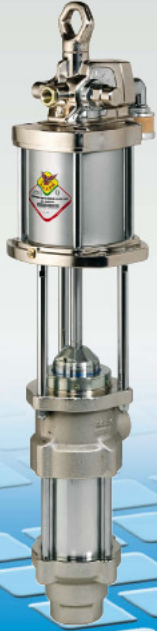


Ratio **4:1**  
Flow rate **110 l/min**

Ratio **6:1**  
Flow rate **80 l/min**

Ratio **5:1**  
Flow rate **90 l/min**

Ratio **8:1**  
Flow rate **65 l/min**



series **1500**

series **1500**

series **1800**

series **1800**

divorced

divorced

divorced

divorced

**150D/41**

**150D/61**

**150DV/61**

**180D/51**

**180D/81**

**180DV/81**

Oils, lubricants  
and similar  
Carbon steel  
Carbon steel

Oils, lubricants  
and similar  
Carbon steel  
Carbon steel

Oils, lubricants  
and similar  
Carbon steel  
Carbon steel

Oils, lubricants  
and similar  
Carbon steel  
Carbon steel

F 1/2"  
F 1.1/2"

F 1/2"  
F 1.1/2"

F 1/2"  
F 1.1/2"

F 1/2"  
F 1.1/2"

F 1/2"  
F 1.1/2"

F 1/2"  
F 1.1/2"

3,4

3,4

3,4

4,2

4,2

4,2

80

80

80

80

80

80

8

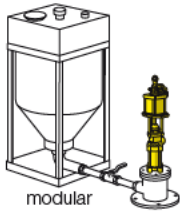
8

8

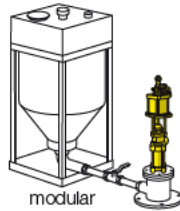
8

8

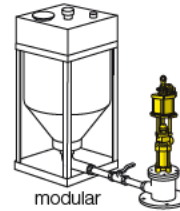
8



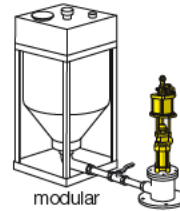
modular



modular



modular



modular

1 - 0,20

1 - 0,20

1 - 0,20

1 - 0,20

1 - 0,20

1 - 0,20

63

53

53

65

56

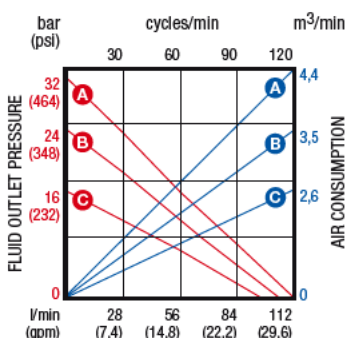
56

43 - 62,5 - 17,7

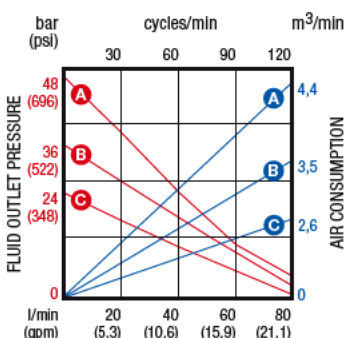
43 - 62,5 - 16,2

43 - 62,5 - 17,7

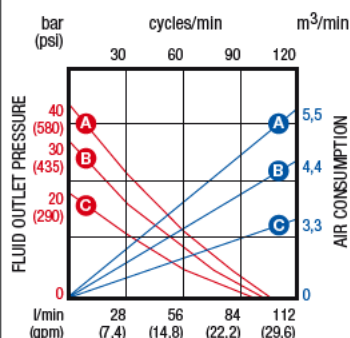
43 - 62,5 - 16,2



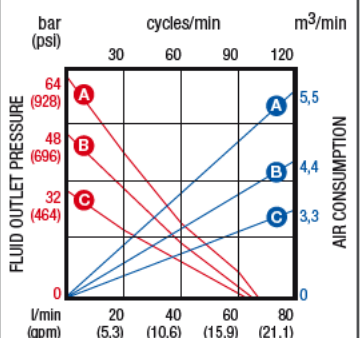
KIND OF FLUID: SAE30 oil (ISO VG 100) - 20 °C



KIND OF FLUID: SAE30 oil (ISO VG 100) - 20 °C



KIND OF FLUID: SAE30 oil (ISO VG 100) - 20 °C



KIND OF FLUID: SAE30 oil (ISO VG 100) - 20 °C



# Air-operated INDUSTRIAL PUMPS

grease

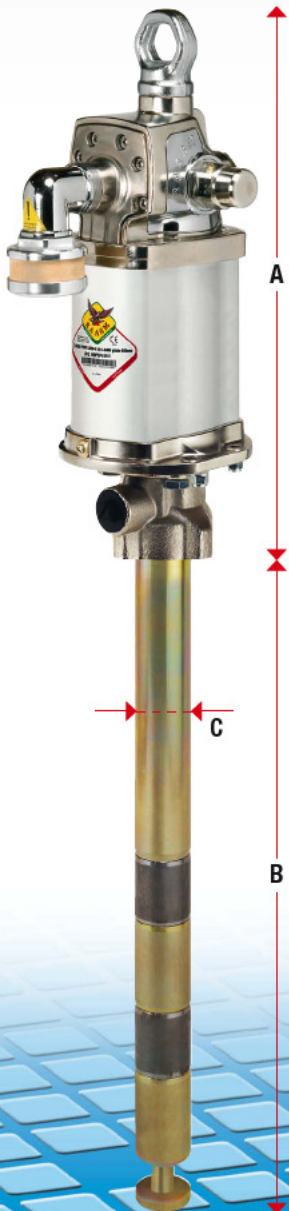
Ratio **45:1**  
Flow rate **4400 g/min**

**Series 900 - 1200 industrial air-operated pumps** for medium-long distance distribution. Suitable for the transfer of medium-high viscosity oils and greases. The high quality of the components ensures lasting and reliable operation even in extreme conditions whereas the double action guarantees the delivery of a continuous and constant flow. Particularly effective in systems equipped with several dispensing points.



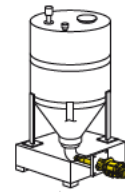
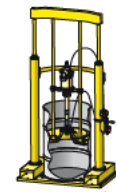
series **900**

flanged

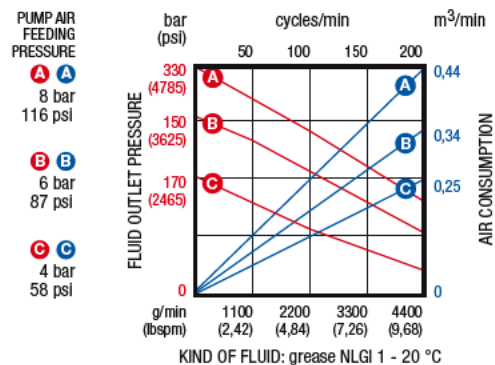


Article with seals in	PU	90FSP/451	90F/451	92F/451	91F/451
Compatible fluids		High viscosity oils and greases			
Suction tube upper body		Carbon steel			
Suction tube		Carbon steel			
Air inlet connection	bsp	F 1/2"	F 1/2"	F 1/2"	F 1/2"
Fluid outlet connection	bsp	F 1/2"	F 1/2"	F 1/2"	F 1/2"
Max. air consumption 8 bar	m <sup>3</sup> /min	1,6	1,6	1,6	1,6
Noise level	dB	80	80	80	80
Air max. feed pressure	bar	8	8	8	8

Suitable for drums or tanks



Packing	N° - m <sup>3</sup>	1 - 0,085	1 - 0,045	1 - 0,070	1 - 0,070
Weight	Kg	16	16	18	19
Dimensions (A - B - C)	cm	44,5 - 50 - 4,5	44,5 - 50 - 4,5	44,5 - 74 - 4,5	44,5 - 94 - 4,5



Ratio **70:1**  
Flow rate **3000 g/min**

Ratio **75:1**  
Flow rate **4400 g/min**



**series 900**

**integral**

**92C/701**

**91C/701**

High viscosity oils and greases

Aluminium

Carbon steel

F 1/2"

F 1/2"

F 1/2"

F 1/2"

1,6

1,6

80

80

8

8



suitable for drums  
50-60 Kg

1 - 0,070

18

43 - 74 - 4,5



suitable for drums  
180-220 Kg

1 - 0,070

19

43 - 94 - 4,5



**115FSP/751**



**115F/751**



**117F/751**



**116F/751**

High viscosity oils and greases

Carbon steel

Carbon steel

F 1/2"

F 1/2"

F 1/2"

F 1/2"

F 1/2"

F 1/2"

F 1/2"

F 1/2"

2,8

2,8

2,8

2,8

80

80

80

80

8

8

8

8

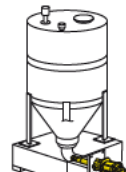


pump elevator

1 - 0,045

18

44,5 - 50 - 4,5



tank

1 - 0,045

18

44,5 - 50 - 4,5



suitable for drums  
50-60 Kg

1 - 0,070

20

44,5 - 74 - 4,5

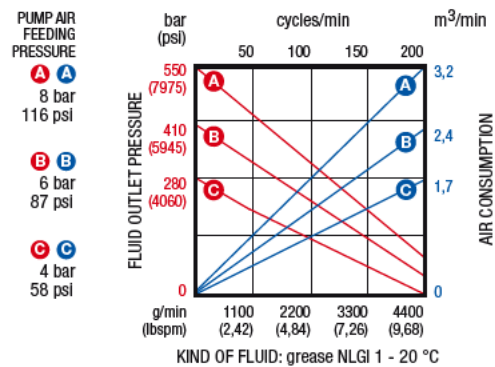
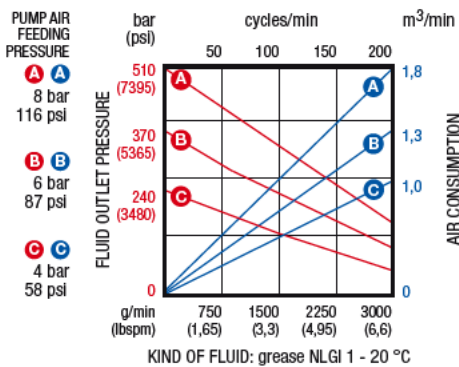


suitable for drums  
180-220 Kg

1 - 0,070

21

44,5 - 94 - 4,5





# Air-operated INDUSTRIAL PUMPS

grease

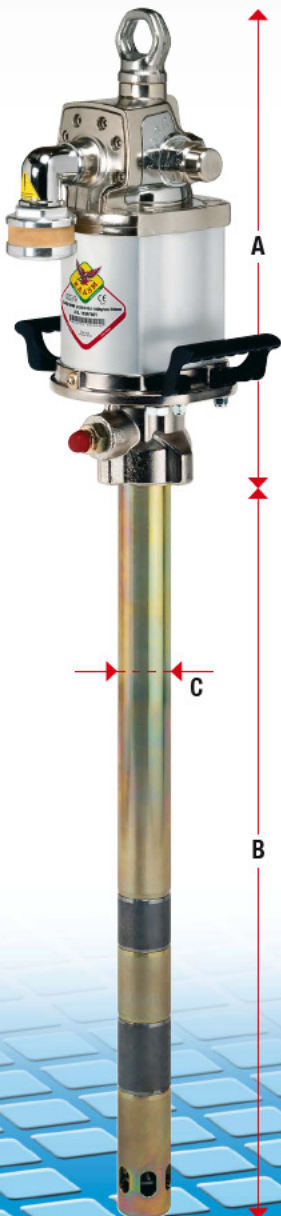
Ratio **40:1**  
Flow rate **10000 g/min**

**Series 1200 and 1500 industrial air-operated pumps** for medium-long distance distribution.

Suitable for transferring oils, lubricants and allied products, they guarantee high performance in capacity (l/min) and operating pressure.

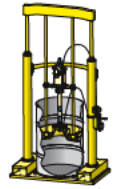
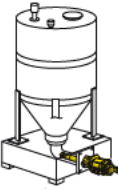

The version with viton seals can also be used for the transfer of industrial and chemical fluids.

The high quality of the components ensures lasting and reliable operation even in extreme conditions.

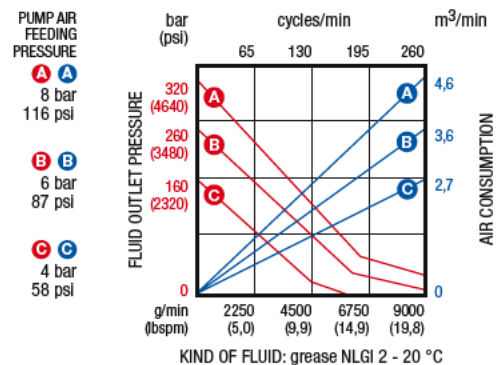


series **1200**

flanged

Article with seals in	PU	118FSP/401	118F/401	115F/401
Compatible fluids		High viscosity oils and greases		
Suction tube upper body		Carbon steel		
Suction tube		Carbon steel		
Air inlet connection	bsp	F 1/2"	F 1/2"	F 1/2"
Fluid outlet connection	bsp	F1/2"	F 1/2"	F1/2"
Max. air consumption 8 bar	m <sup>3</sup> /min	2,8	2,8	2,8
Noise level	dB	80	80	80
Air max. feed pressure	bar	8	8	8
Suitable for drums or tanks		 pump elevator	 tank	 suitable for drums 50-60 Kg
Packing	N° - m <sup>3</sup>	1 - 0,090	1 - 0,090	1 - 0,090
Weight	Kg	21	21	23
Dimensions (A - B - C)	cm	44,5 - 60 - 5,08	44,5 - 60 - 5,08	44,5 - 74 - 5,08

**Art. 10/09**  
Adaptor for integral and flanged pumps series 900 and 1200, for application with other brackets

Ratio **70:1**  
Flow rate **7000 g/min**



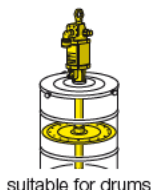
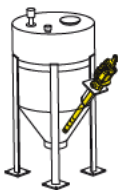
**series 1200**

flanged

**117F/401**      **116F/401**

High viscosity oils and greases  
Carbon steel  
Carbon steel

F 1/2"	F 1/2"
F 1/2"	F 1/2"
2,8	2,8
80	80
8	8



1 - 0,090      1 - 0,090

24      25

44,5 - 86 - 5,08      44,5 - 94 - 5,08

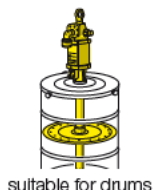
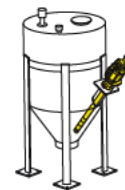
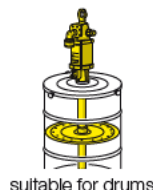
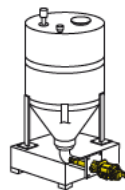
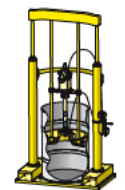
**series 1500**

flanged

**153FSP/701**      **153F/701**      **150F/701**      **152F/701**      **151F/701**

High viscosity oils and greases  
Carbon steel  
Carbon steel

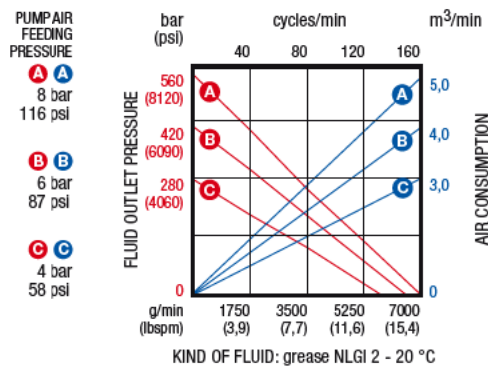
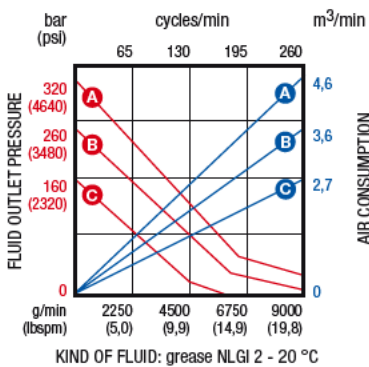
F 1/2"	F 1/2"	F 1/2"	F 1/2"	F 1/2"	F 1/2"
F 1/2"	F 1/2"	F 1/2"	F 1/2"	F 1/2"	F 1/2"
4,3	4,3	4,3	4,3	4,3	4,3
80	80	80	80	80	80
8	8	8	8	8	8



1 - 0,20      1 - 0,20      1 - 0,20      1 - 0,20      1 - 0,20

29      29      31      32      33

50 - 60 - 5,08      50 - 60 - 5,08      50 - 74 - 5,08      50 - 86 - 5,08      50 - 94 - 5,08





# Air-operated INDUSTRIAL PUMPS

industrial fluids

Series 900 and 1200 divorced industrial air-operated pumps for medium-long distance distribution.

The divorced version, with teflon seals, can also be used for the transfer of industrial and chemical fluids. The high quality of the components ensures lasting and reliable operation even in extreme conditions.



Article with seals in **TEFLON**

Compatible fluids	Chemical and industrial fluids
Suction tube upper body	Carbon steel
Suction tube	Carbon steel
Air inlet connection	bsp F 1/2"
Fluid outlet connection	bsp F 3/4"
Max. air consumption 8 bar	m <sup>3</sup> /min 1,6
Noise level	dB 80
Air max. feed pressure	bar 8

Suitable for drums or tanks

Packing	N° - m <sup>3</sup>	1 - 0,045
Weight	Kg	14,5
Dimensions (A - B - C)	cm	36 - 48 - 6,2

PUMP AIR FEEDING PRESSURE

**A A**  
8 bar  
116 psi

**B B**  
6 bar  
87 psi

**C C**  
4 bar  
58 psi

Ratio **5:1**  
Flow rate **45 l/min**

Ratio **7:1**  
Flow rate **30 l/min**



series **900**

series **900**

divorced

divorced

**90D/51**

**90D/71**

Chemical and industrial fluids

Chemical and industrial fluids

Carbon steel

Carbon steel

Carbon steel

Carbon steel

F 1/2"

F 1/2"

F 3/4"

F 3/4"

1,6

1,6

80

80

8

8

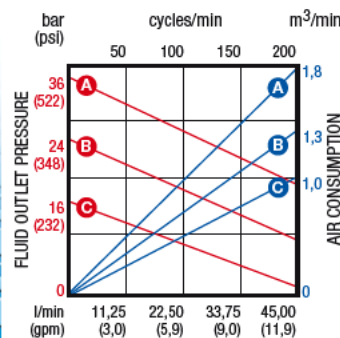


modular

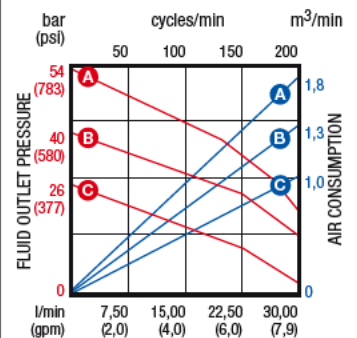


modular

Packing	N° - m <sup>3</sup>	1 - 0,045
Weight	Kg	14,5
Dimensions (A - B - C)	cm	36 - 48 - 6,2



KIND OF FLUID: SAE30 oil (ISO VG 100) - 20 °C



KIND OF FLUID: SAE30 oil (ISO VG 100) - 20 °C





Ratio **11:1**  
Flow rate **30 l/min**

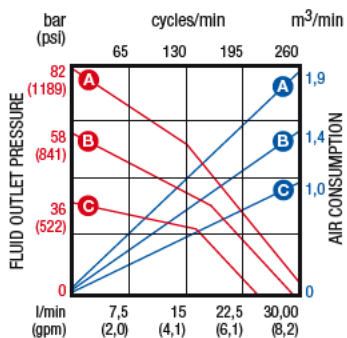
Ratio **9:1**  
Flow rate **45 l/min**

Ratio **12:1**  
Flow rate **30 l/min**

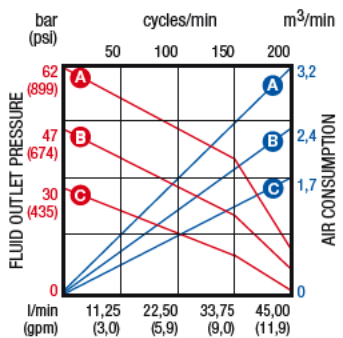
Ratio **18:1**  
Flow rate **23 l/min**



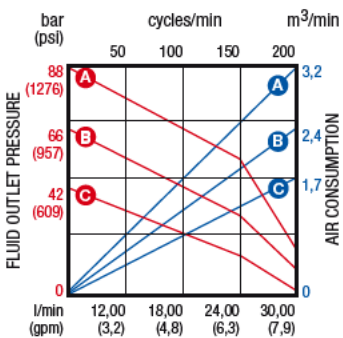
<b>series 900</b>	<b>series 1200</b>	<b>series 1200</b>	<b>series 1200</b>
<b>divorced</b>	<b>divorced</b>	<b>divorced</b>	<b>divorced</b>
<b>90D/111</b>	<b>115D/91</b>	<b>115D/121</b>	<b>115D/181</b>
Chemical and industrial fluids	Chemical and industrial fluids	Chemical and industrial fluids	Chemical and industrial fluids
Carbon steel	Carbon steel	Carbon steel	Carbon steel
Carbon steel	Carbon steel	Carbon steel	Carbon steel
F 1/2"	F 1/2"	F 1/2"	F 1/2"
F 3/4"	F 3/4"	F 3/4"	F 3/4"
1,7	2,8	2,8	2,8
80	80	80	80
8	8	8	8
			
modular	modular	modular	modular
1 - 0,045	1 - 0,045	1 - 0,045	1 - 0,045
13	15,5	14,5	14
36 - 48 - 4,5	36 - 48 - 6,2	36 - 48 - 5,3	36 - 48 - 4,5



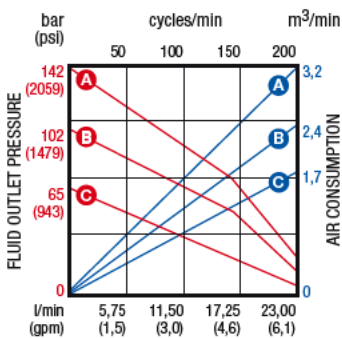
KIND OF FLUID: SAE30 oil (ISO VG 100) - 20 °C



KIND OF FLUID: SAE30 oil (ISO VG 100) - 20 °C



KIND OF FLUID: SAE30 oil (ISO VG 100) - 20 °C

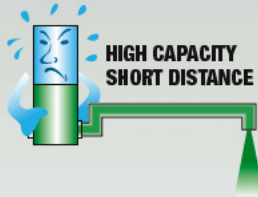


KIND OF FLUID: SAE30 oil (ISO VG 100) - 20 °C

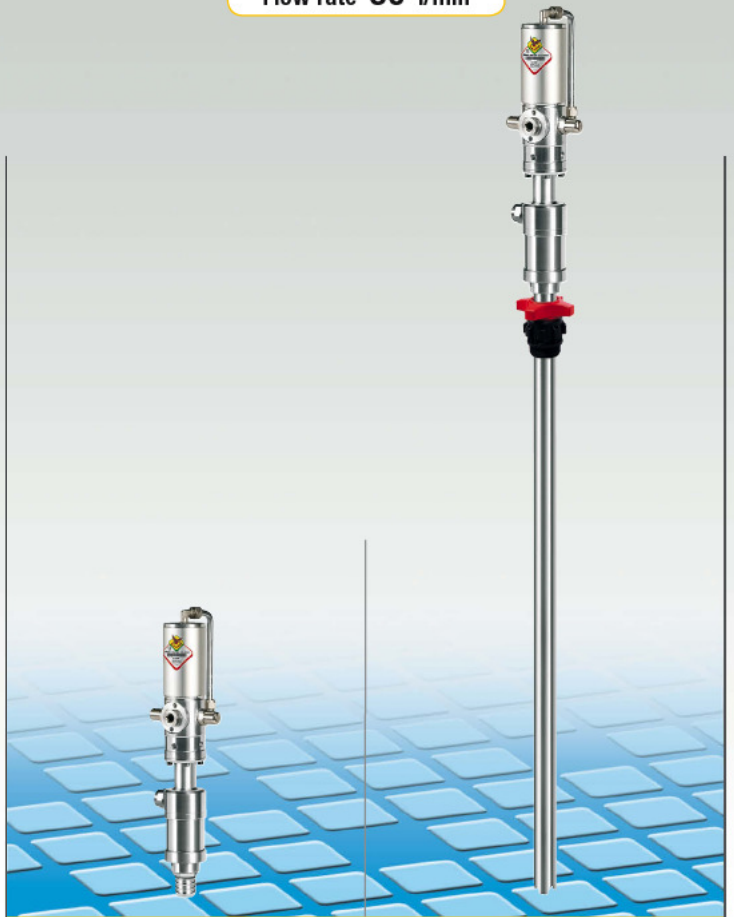
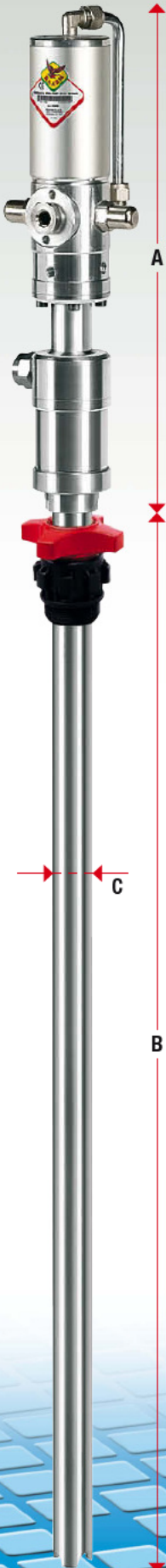


# S/Steel AISI 304 pumps for short-medium distance TRANSFER

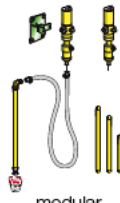

Ratio **1:1**  
Flow rate **30 l/min**



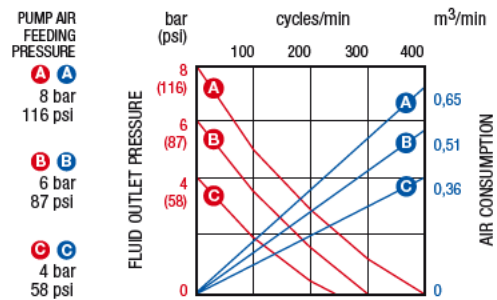
Ideal for transferring low-medium viscosity fluids such as: antifreeze liquid, windshield washing liquid and chemical products.



series **600 INOX**

Article with seals in <b>VITON</b>	series 600 INOX	
	divorced <b>33360</b>	divorced <b>33396</b>
Compatible fluids	Suitable for antifreeze and windshield washing liquid	
Suction tube upper body	Stainless steel AISI 304	
Suction tube	Stainless steel AISI 304	
Air inlet connection	bsp F 1/4" G	F 1/4" G
Fluid outlet connection	bsp F 1/2" G	F 1/2" G
Max. air consumption 8 bar	m <sup>3</sup> /min 0,37	0,37
Noise level	dB 81	81
Air max. feed pressure	bar 6 - 8	6 - 8
Suitable for drums or tanks	 modular	 suitable for drums 180-220 Kg
Packing	N° - m <sup>3</sup> 1 - 0,10	1 - 0,020
Weight	Kg 5,3	7,4
Dimensions (A - B - C)	cm 41 - 0 - 0	41 - 94 - 3,4

Art. 33440  
Gun for antifreeze and windshield liquid with stainless steel rigid terminal



KIND OF FLUID: windshield washing fluid with water



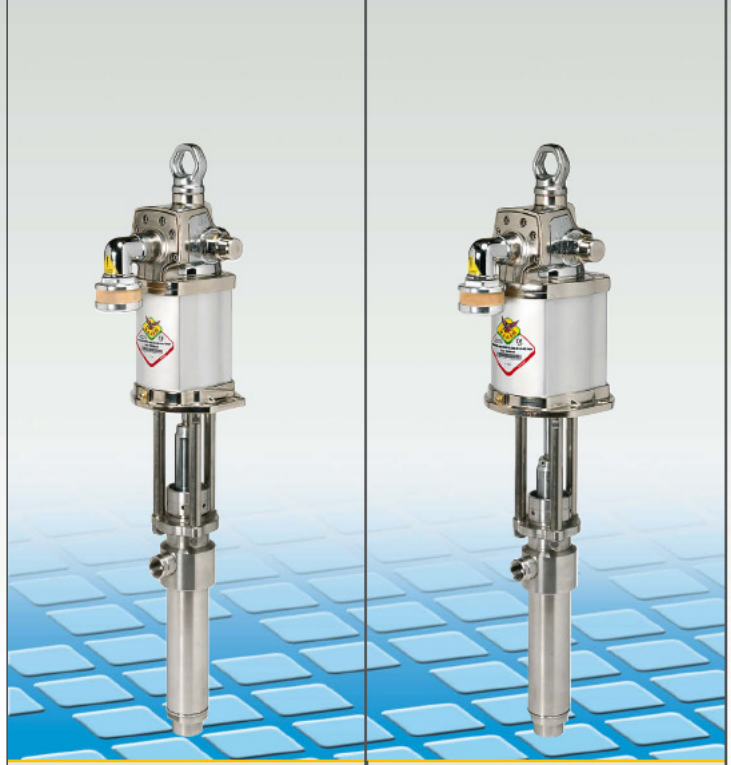
# Air-operated INDUSTRIAL PUMPS S/STEEL AISI 304

industrial fluids

Series 900 - 1200 divorced stainless steel AISI 304 industrial air-operated pumps for medium-long distance distribution. They are suitable to transfer aggressive fluids compatible with the wet parts of the pump (stainless steel and teflon). The high quality of the components ensures lasting and reliable operation even in extreme conditions.

Ratio **6:1**  
Flow rate **42 l/min**

Ratio **9:1**  
Flow rate **42 l/min**



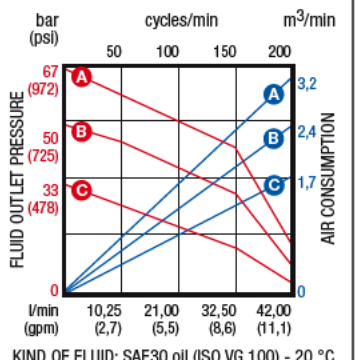
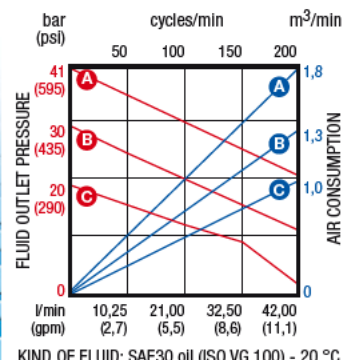
Article with seals in <b>TEFLON</b>	<b>94D/61</b>		<b>120D/91</b>
	<b>95D/61</b>		
Compatible fluids	Chemical and industrial fluids		Chemical and industrial fluids
Suction tube upper body	Stainless steel AISI 304		Stainless steel AISI 304
Suction tube	Stainless steel AISI 304		Stainless steel AISI 304
Air inlet connection	bsp	F 1/2"	F 1/2"
Fluid inlet connection	bsp	F 1.1/4"	F 1"
Fluid outlet connection	bsp	F 3/4"	F 3/4"
Max. air consumption 8 bar	m <sup>3</sup> /min	1,6	2,8
Noise level	dB	80	80
Air max. feed pressure	bar	8	8
Suitable for drums or tanks	 modular modular modular		
Packing	N° - m <sup>3</sup>	1 - 0,045	1 - 0,045
Weight	Kg	14,5	15,5
Dimensions (A - B - C)	cm	36 - 48 - 6,0	36 - 48 - 6,0

PUMP AIR FEEDING PRESSURE

**A A**  
8 bar  
116 psi

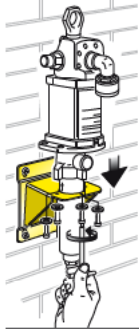
**B B**  
6 bar  
87 psi

**C C**  
4 bar  
58 psi

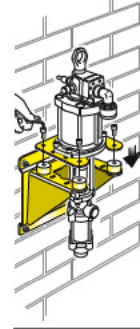




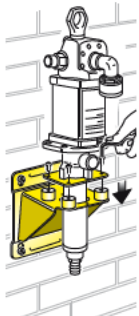
## Accessories for industrial pumps



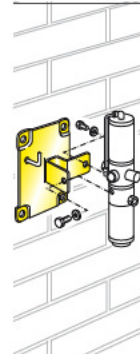
**Art. 10/10**  
Wall bracket in painted steel for wall-mounting of integral and flanged industrial pumps, series 900 and 1200



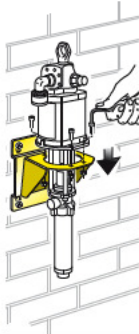
**Art. 10/18**  
Wall bracket in painted steel with dampers for wall-mounting of divorced industrial pumps, with suction tube  $\varnothing$  100 mm, series 900 and 1200



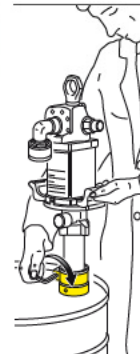
**Art. 10/11**  
Wall bracket in painted steel with dampers for wall-mounting of integral and flanged industrial pumps, series 900 and 1200



**Art. 33115**  
Wall bracket in steel for wall-mounting of transfer pumps, series 600 and 650

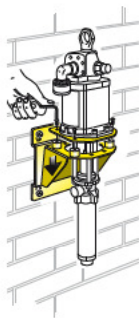


**Art. 10/12**  
Wall bracket in painted steel for wall-mounting of divorced industrial pumps, series 900 and 1200

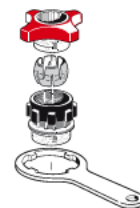


**Art. 10/14**  
Bung adaptor, for industrial pumps with suction tube,  $\varnothing$  45 mm series 900 and 1200

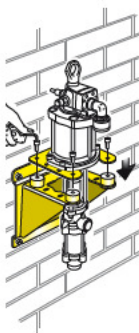
**Art. 10/15**  
Bung adaptor, for industrial pumps with suction tube,  $\varnothing$  53 mm series 900 and 1200



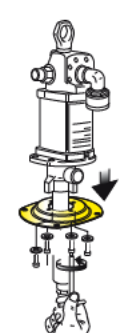
**Art. 10/13**  
Wall bracket in painted steel with dampers for wall-mounting of divorced industrial pumps, series 900 and 1200



**Art. 33434**  
Bung adaptor  $\varnothing$  34 mm, with double body for pumps with suction tube, series 600



**Art. 10/17**  
Wall bracket in painted steel with dampers for wall-mounting of flanged industrial pumps, series 1500 and 1800



**Art. 10/09**  
Adaptor for integral and flanged pumps series 900 e 1200, for application with other brackets



# Accessories for industrial pumps

## Union ø 45 mm



## Drum cover for pumps with suction tube ø 45

Art. 10/50 Drum cover ø 600 mm for drums 180 - 220 Kg  
(drums external ø 550 - 600 mm)

Art. 10/51 Drum cover ø 420 mm for drums 50 - 60 Kg  
(drums external ø 370 - 420 mm)

Art. 10/52 Drum cover ø 385 mm for drums 30 - 50 Kg  
(drums external ø 340 - 385 mm)



## Follower plate for pumps S. 900 - 1200 with suction tube ø 45

Art. 10/60 Follower plate ø 585 mm for drums 180 - 220 Kg  
(drums internal ø 540 - 580 mm)

Art. 10/61 Follower plate Ø 400 mm for drums 50 - 60 Kg  
(drums internal ø 360 - 400 mm)

Art. 10/62 Follower plate Ø 370 mm for drums 30 - 50 Kg  
(drums internal ø 335 - 360 mm)



## Union ø 50,8 mm

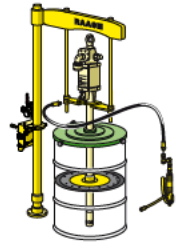


## Drum cover for pumps with suction tube ø 50,8

Art. 10/55 Drum cover ø 600 mm for drums 180 - 220 Kg  
(drums external ø 550 - 600 mm)

Art. 10/56 Drum cover ø 420 mm for drums 50 - 60 Kg  
(drums external ø 370 - 420 mm)

Art. 10/57 Drum cover ø 385 mm for drums 30 - 50 Kg  
(drums external ø 340 - 385 mm)



## Follower plate for pumps S. 1200 - 1500 with suction tube ø 50,8

Art. 10/65 Follower plate ø 585 mm for drums 180 - 220 Kg  
(drums internal ø 540 - 580 mm)

Art. 10/66 Follower plate ø 400 mm for drums 50 - 60 Kg  
(drums internal ø 360 - 400 mm)

Art. 10/67 Follower plate ø 370 mm for drums 30 - 50 Kg  
(drums internal ø 335 - 360 mm)



## Union 2" F

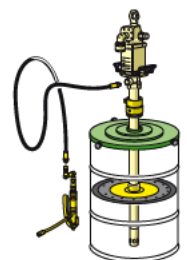


## Drum cover with threaded bushing 2" f

Art. 65160 Follower plate ø 600 mm for drums 180 - 220 kg  
(drums external ø 550 - 600 mm)  
suitable to fit pump bung adaptor

Art. 65142 Follower plate ø 420 mm for drums 50 - 60 kg  
(drums external ø 370 - 420 mm)  
suitable to fit pump bung adaptor

Art. 65138 Follower plate ø 385 mm for drums 30 - 50 kg  
(drums external ø 340 - 385 mm)  
suitable to fit pump bung adaptor

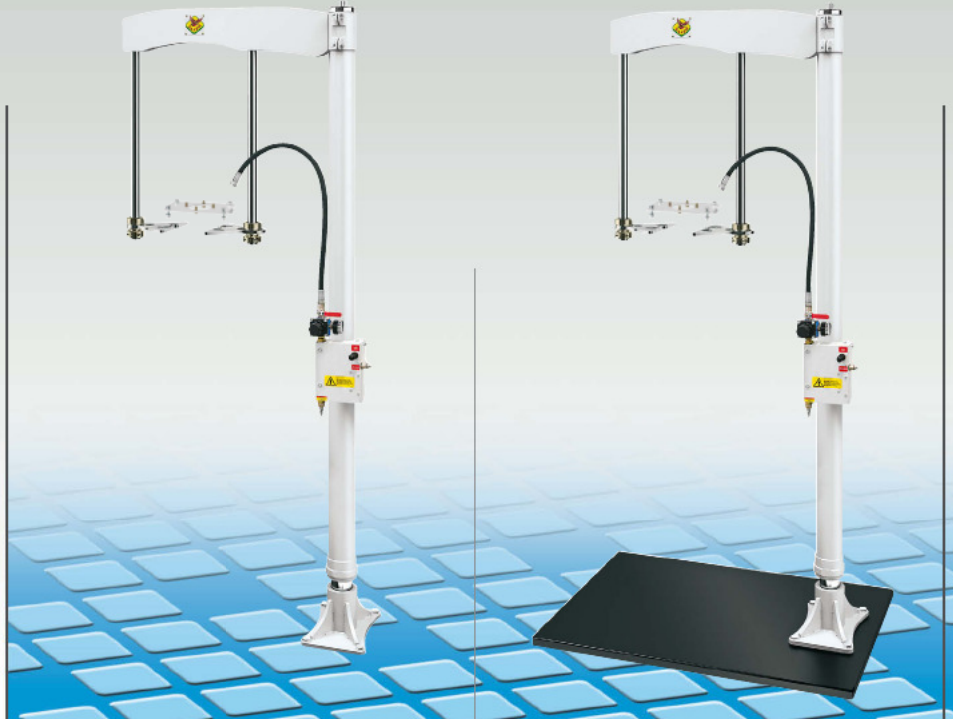




# Air-operated pump elevator

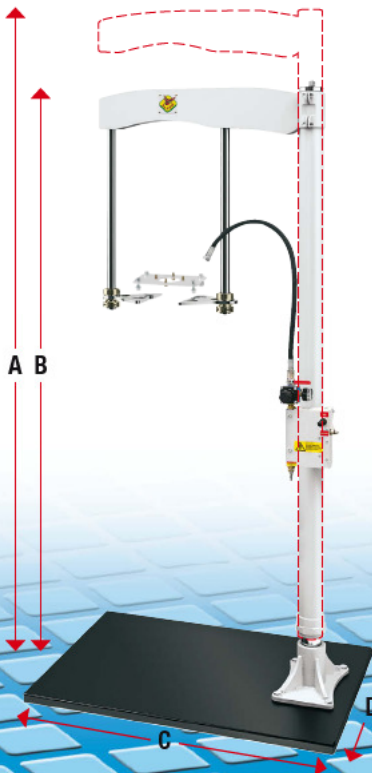
1 column

The Pump elevators are available in single column (with or without basement) or twin column version. It is raised by compressed air, via the side mounted 3-way valve allowing to change the drum easily and quickly. A special version of the twin columns elevator is equipped with 2 rods which connected to a special follower plate (available on request) may push it downward making easier suction of the fluid and increasing the performance of the pump. They are available for 180-220 Kg drums.



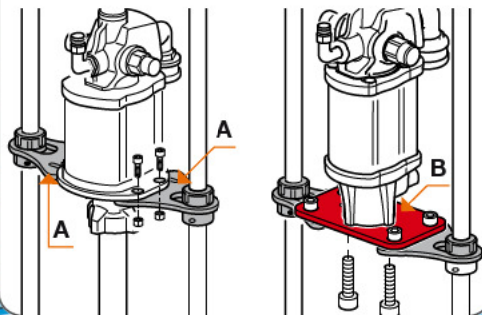
Article	10/81	10/80
Column	1	1
Suitable for drums	180 - 220	180 - 220
Working temperature	+ 2 °C + 40 °C	+ 2 °C + 40 °C
Pressione max	8	8
Usable pumps	S. 600 - 700 grease pump - 900 - 1200 - 1500 - 1800	
Noise level	negligible (< 70)	
Pushing force upwards at:	* 4 bar 113 kg - 6 bar 170 kg - 8 bar 226 kg	4 bar 113 kg - 6 bar 170 kg - 8 bar 226 kg
Pushing force downwards at:	-	-
Packing	1 - 0,679	1 - 1,165
Gross weight	75	97
Height max/min (A - B)	271,5 - 171,5	275 - 175
Dimensions (C - D)	14 - 25,5	86,6 - 63

Nota: \*theoretical values, the coefficients of friction are not calculated.



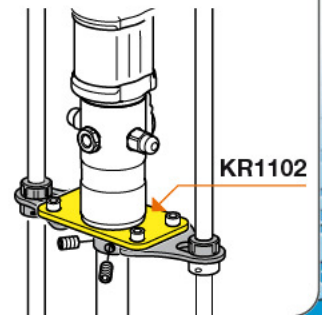
## STANDARD BRACKETS

All the elevators are equipped with 2 standard brackets (A - B) suitable for mounting all our industrial pumps.



## BRACKETS ON REQUEST

**KR1102:** Special support suitable to mount pump with ø 30 mm suction tube.



## 2 column



10/82

2

180 - 220  
+ 2 °C + 40 °C  
8

S. 600 - 700 grease pump - 900 - 1200 - 1500 - 1800  
negligible (< 70)

\* 4 bar 226 kg - 6 bar 339 kg - 8 bar 452 kg

-

1 - 1,406  
128

275 - 175  
108,6 - 63

## 2 column + fluid press



10/85

2

180 - 220  
+ 2 °C + 40 °C  
8

S. 600 - 700 grease pump - 900 - 1200 - 1500 - 1800  
negligible (< 70)

\* 4 bar 509 Kg - 6 bar 763 Kg - 8 bar 1017 Kg

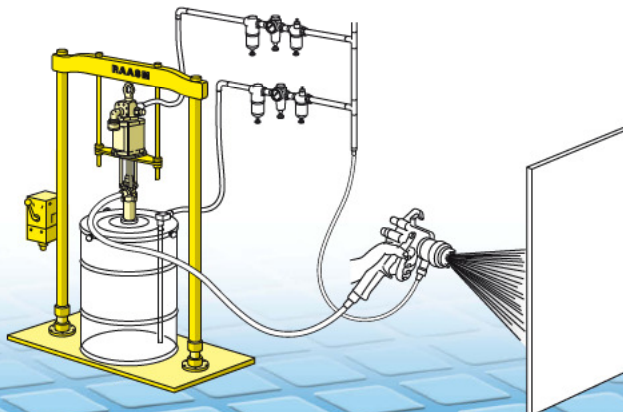
\*\*

4 bar 432 Kg - 6 bar 648 Kg - 8 bar 864 Kg

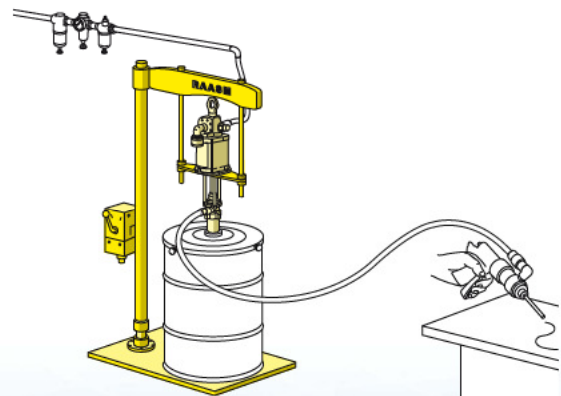
1 - 1,840  
187

280 - 180  
108,6 - 63

Nota: \*\*theoretical figures: friction has not been considered. Furthermore depression's force created by the pump during suction (+2100 Kg) must be added to the listed figures.



Fluid distribution system (for paints, lubricants, protective liquids, etc.) fed by pump mounted on drum in fixed station and delivery with spray gun.



Automated system for the delivery of preselected quantities of fluids (inks, paints, greases, etc.), fed by pump mounted on drum, with twin column ram



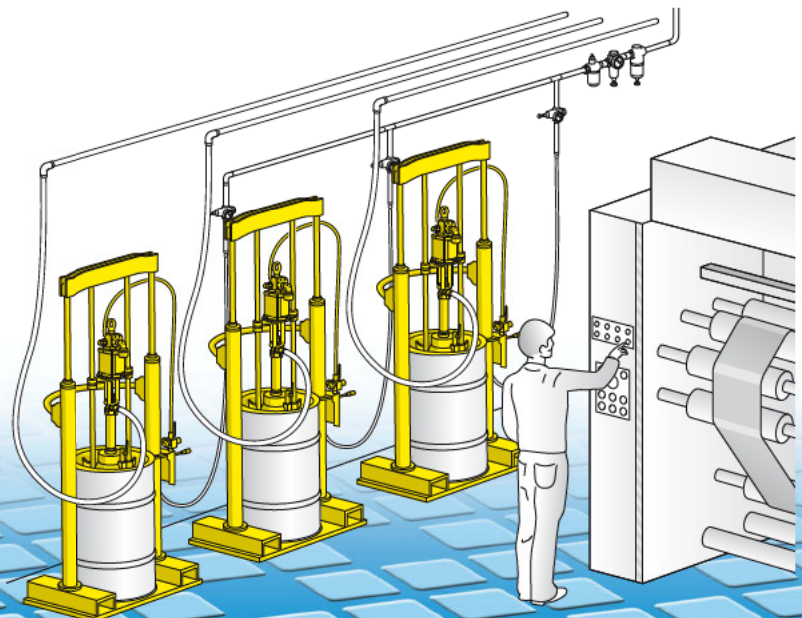
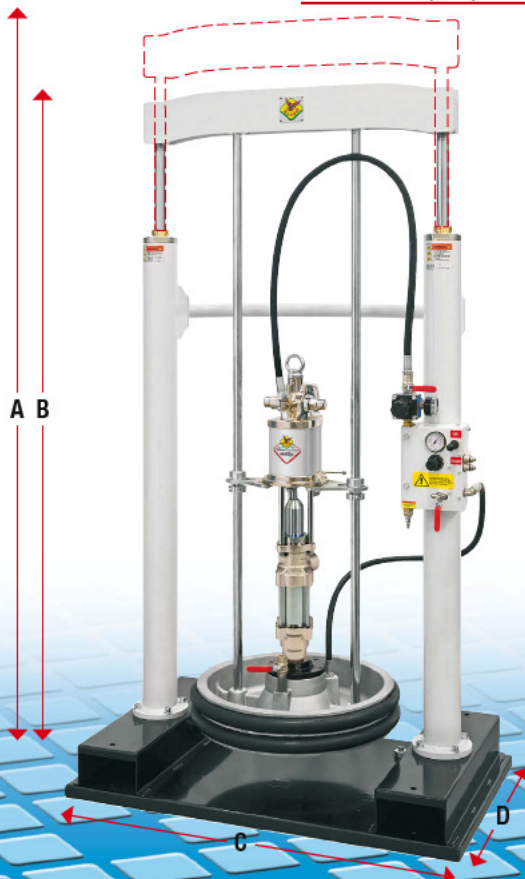
# Air-operated twin column ram hoist

low pressure/high flow rate

**Air-operated twin column ram hoist with industrial pump.** It is raised and lowered by compressed air, via the side mounted 3-way valve. Essential when pumping high viscosity and heavy fluids since ram pushes down the follower plate helping pump working. It is suitable for 180- 220 Kg drums.



Article with follower plate with pump seals	NBR PU	10/1561P1N	10/1881P1N
Ratio		<b>6:1</b>	<b>8:1</b>
Flow rate		<b>80 l/min</b>	<b>65 l/min</b>
Pump	Art.	150D/61	180D/81
Suction tube		F 2" G	F 2" G
Twin column ram	Art.	10/85	10/85
Follower plate	Art.	11/60	11/60
Adaptors for follower plate	Art.	21/62	21/62
Pump connection hose	Art.	996.3015	996.3015
Follower plate connection hose	Art.	995.301	995.301
Suitable for drums	Kg	200	200
Packing	N° - m <sup>3</sup>	1 - 1,80	1 - 1,80
Weight	Kg	263	266
Height max/min (A - B)	cm	280 - 180	280 - 180
Dimensions (C - D)	cm	108,6 - 63	108,6 - 63



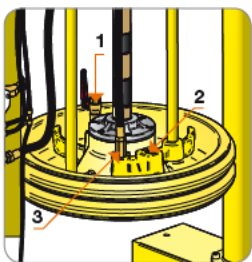
medium pressure/medium flow rate

high pressure/low flow rate

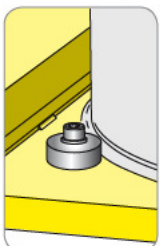


10/09111P1N	10/12181P1N	10/12401P1N	10/09451P1N	10/12751P1N	10/15701P1N
<b>11:1</b>	<b>18:1</b>	<b>40:1</b>	<b>45:1</b>	<b>75:1</b>	<b>70:1</b>
<b>30 l/min</b>	<b>23 l/min</b>	<b>10 kg/min</b>	<b>4,4 kg/min</b>	<b>4,4 kg/min</b>	<b>7 kg/min</b>
90F/111	115F/181	118FSP/401	90FSP/451	115FSP/751	153FSP/701
ø 45	ø 45	ø 50,8	ø 45	ø 45	ø 50,8
10/85	10/85	10/85	10/85	10/85	10/85
11/60	11/60	11/60	11/60	11/60	11/60
21/64	21/64	21/65	21/64	21/64	21/65
996.3015	996.3015	996.3015	996.3015	996.3015	996.3015
995.301	995.301	995.301	995.301	995.301	995.301
200	200	200	200	200	200
1 - 1,80	1 - 1,80	1 - 1,80	1 - 1,80	1 - 1,80	1 - 1,80
225	226	231	228	230	238
280 - 180	280 - 180	280 - 180	280 - 180	280 - 180	280 - 180
108,6 - 63	108,6 - 63	108,6 - 63	108,6 - 63	108,6 - 63	108,6 - 63

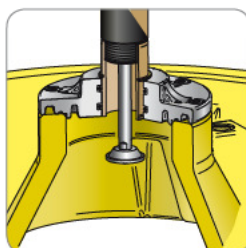
### Technical features



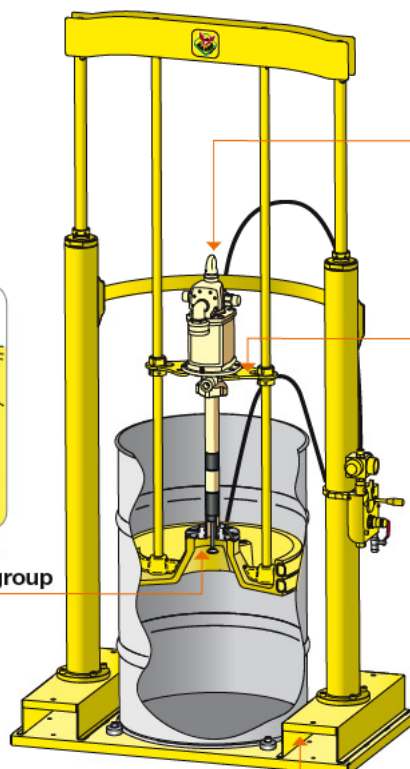
- 1 Ball cock for air bleeding during followerplate setting on new drum
- 2 Optional connection to pump outlet for pump starting and air bleeding when using a new drum
- 3 Air hose connection for follower plate lifting



References to centre the drum

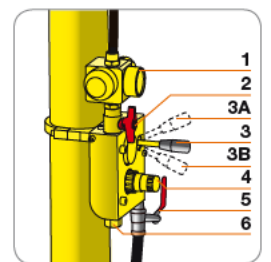


Conical follower plate and bottom pumping group



Pump feeding air inlet

Support with pump positioning clamps

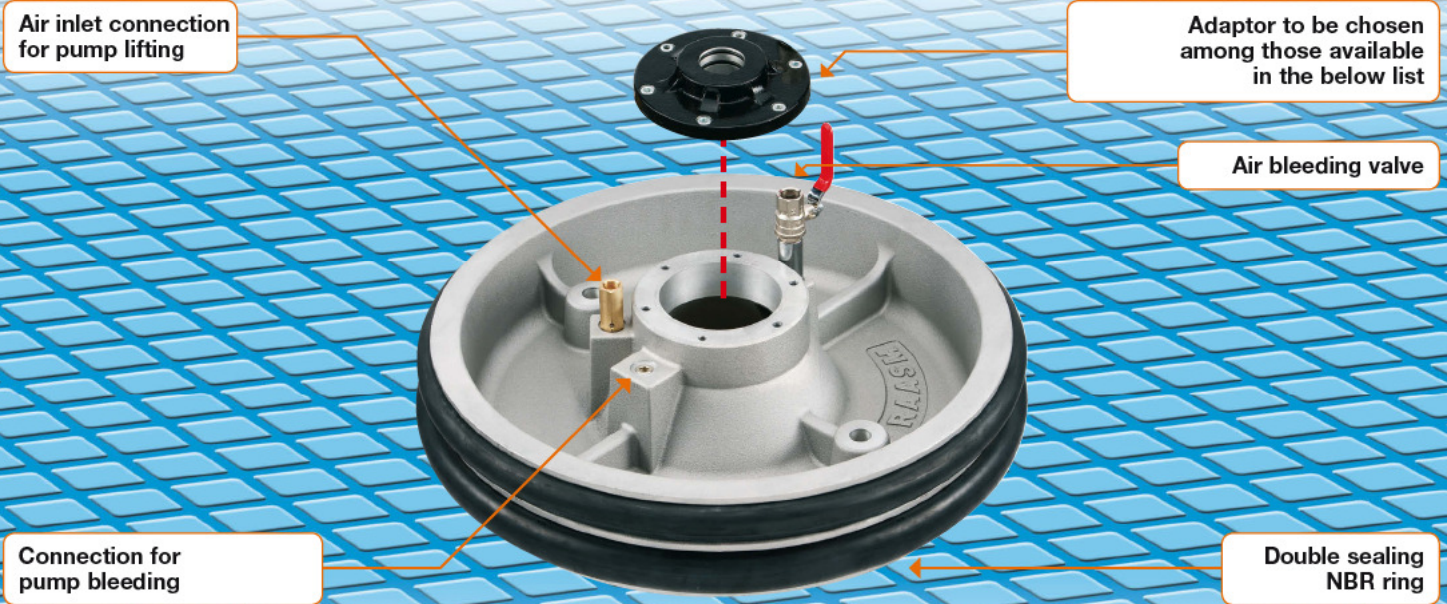


- 1 Pressure regulator with manometer for pump air feeding
- 2 Pump air feeding ball cock
- 3A Follower plate and pump lifting position
- 3 Off position
- 3B Follower plate descent position
- 4 Pressure regulator with manometer for twin column ram air feeding
- 5 Ball cock to put air under the follower plate for pump lifting
- 6 Air Inlet connection






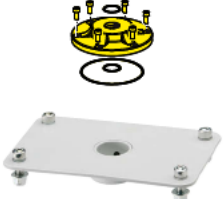


# Technical features

Follower plate  $\varnothing$  585 mm with double sealing NBR ring, to be used with air operated twin column ram for drums 180 - 220 Kg, for grease or high viscosity fluid.



The follower plate can be used with different kind of pumps thanks to special adaptors shown in the below list and available on request.

Article		Description
Art. 11/60		Follower plate $\varnothing$ 585 mm with double o-ring in NBR
Art. 21/61		<b>Adaptor</b> suitable for pumps with F 1" suction tube
Art. 21/62		<b>Adaptor</b> suitable for pumps with F 2" suction tube
Art. 21/64		<b>Adaptor</b> suitable for pumps with $\varnothing$ 45 mm suction tube
Art. 21/65		<b>Adaptor</b> suitable for pumps with $\varnothing$ 50,8 mm suction tube
Art. 21/63		<b>Adaptor + Support (KR1102)</b> suitable for pumps with $\varnothing$ 30 mm suction tube Grease pumps Series 600 - 700



# Twin column ram: PERSONALIZED KIT

In order to satisfy any particular need it is possible to create one's personalized kit choosing pump, follower plate, adaptors and support. We suggest you to look at the information explained in the following pattern.

## 1 Twin column ram



Art. 10/85

## 2 Pumps

Choose the industrial pump with technical features (pressure ratio, flow rate, etc.) suitable for one's needs.



Article	150D/61	180D/81	90F/111	115F/181	90FSP/451	115FSP/751	118FSP/401	153FSP/701
Series	1500	1800	900	1200	900	1200	1200	1500
Ratio	6:1	8:1	11:1	18:1	45:1	75:1	40:1	70:1
Flow rate	80 l/min	65 l/min	30 l/min	23 l/min	4400 g/min	4400 g/min	10000 g/min	7000 g/min
Seals	polyurethane	polyurethane	polyurethane	polyurethane	polyurethane	polyurethane	polyurethane	polyurethane
Suct. tube	-	-	-	480 mm	500 mm	500 mm	600 mm	600 mm

## 3 Follower plate



Art. 11/60

## 4 Adaptors

Choose the adaptor to be mounted on follower plate 0AZ1160 which must fit pump's suction tube diameter.

Art. 21/61



Art. 21/62



Art. 21/63



Art. 21/64



Art. 21/65

